

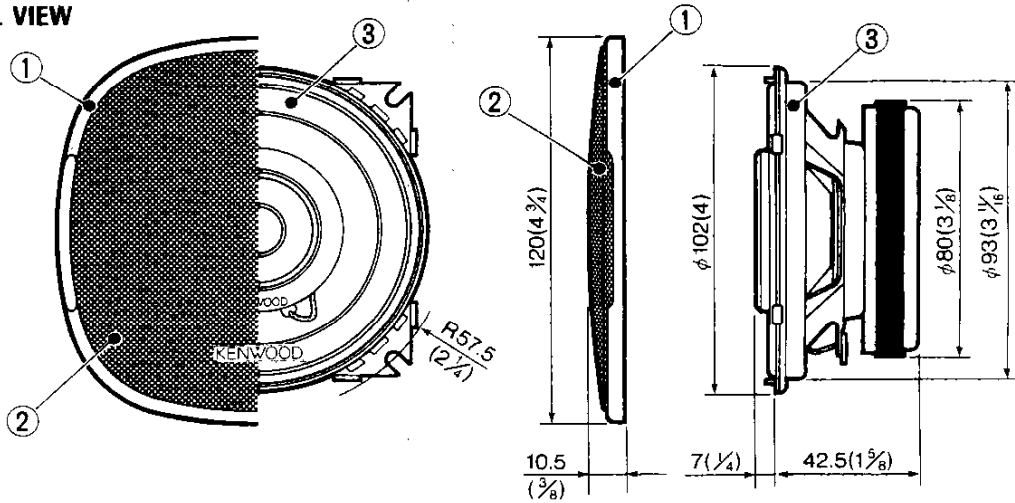
# KFC-1072

## SERVICE MANUAL

# KENWOOD




©1988-10 PRINTED IN JAPAN  
B51-3691-00(B)1878

### EXTERNAL VIEW



UNIT: mm (inch)

### PARTS INCLUDED

-  3m(10ft)..... x 2
-   $\phi 4-20(\frac{3}{16} - \frac{13}{16})$  ..... x 8
-  ..... x 8

### SPECIFICATIONS

- Speakers
- Woofer ————— 10cm(4 in) Water proof treatment cone type 167g(6oz) Magnet
  - Mid-Range ————— 4cm(1 5/16 in) cone type
  - Peak power ————— 45 Watts
  - Frequency Response ————— 60 Hz ~ 21,000Hz
  - Sensitivity ————— 90 dB/W at 1m
  - Impedance ————— 4 ohms
  - Weight per speaker with grille — 0.62kg(1 lb 6oz)/pc

We follow a policy of advancements in development.  
For this reason specifications may be changed without notice.

### PARTS LIST

★ New parts  
Parts without **Parts No.** are not supplied.  
Les articles non mentionnés dans le **Parts No.** ne sont pas fournis.  
Teile ohne **Parts No.** werden nicht geliefert.

Ref No.	New Parts	Parts No.	Description
①	★	B06-0319-08	FRONT GRILLE
	★	E30-1238-08	CORD SET
②	★	F09-0889-08	PROTECTOR
	★	N99-1088-08	SCREW SET
③	★	T15-0127-08	SPEAKER